

# Kawasaki Parts Request Form

## K3V & K5V Common Wear Parts

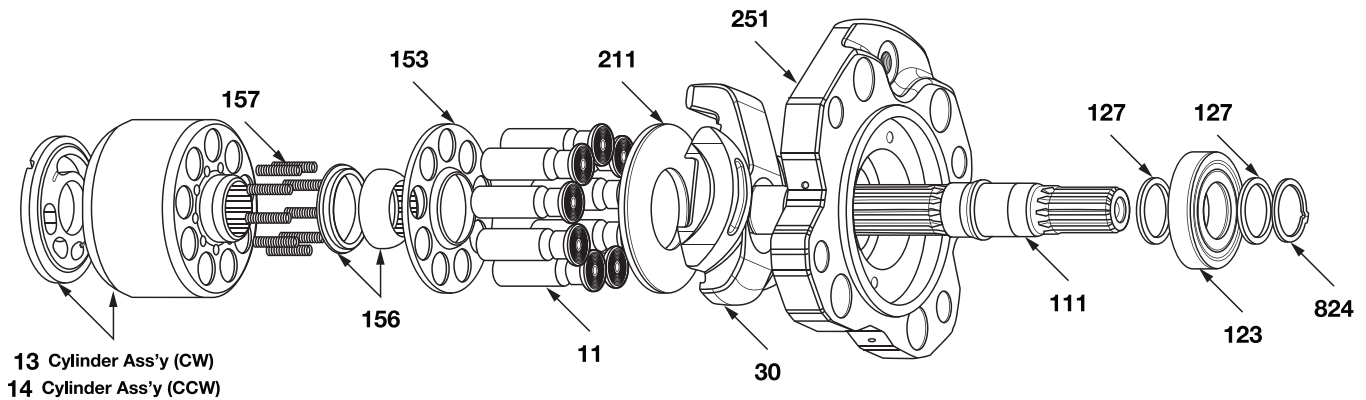
To aid in making sure you get the exact parts you need, please fill out this form to the best of your ability and email it back to [sales@h-r-d.com](mailto:sales@h-r-d.com). You can also email us a picture of the nameplate from your unit as well.

### MODEL CODE

*(If you can supply your unit's model code, it could help out greatly! If not, we'll do our best to help you identify it.)*

Below are the common wear parts of a Kawasaki Hydraulic Pump. Please indicate which parts you need and how many in the *Qty Needed* column. Please note, quantities and parts may vary for some units.

**If you do not see the parts you need below, please write them down in the Notes section at the bottom.**



NO.	DESCRIPTION	QTY/UNIT	QTY NEEDED
11	PISTON ASS'Y (LAP)	18	
13	CYLINDER ASS'Y (CW)	1	
14	CYLINDER ASS'Y (CCW)	1	
30	SWASH PLATE ASS'Y	2	
111	DRIVE SHAFT (Front)	1	
113	DRIVE SHAFT (Rear)	1	
123	BEARING, ROLLER (Front)	2	
124	BEARING, NEEDLE (Rear)	2	

NO.	DESCRIPTION	QTY/UNIT	QTY NEEDED
127	BEARING SPACER	4	
153	SET PLATE	2	
156	SPHERICAL BUSHING	2	
157	CYLINDER SPRING	18	
211	SHOE PLATE	2	
251	SWASH PLATE SUPPORT	2	
824	SNAP RING	2	
-	SEAL KIT FOR PUMP	1	

*Note: Quantities above are based on a Double Type Unit.*

### NOTES

---



---



---

### Hydraulic Repair and Design

Toll Free: 800.323.8416 • Fax: 253.604.0409

Email: [sales@h-r-d.com](mailto:sales@h-r-d.com)

[www.hydraulicrepair.net](http://www.hydraulicrepair.net)