

Contents

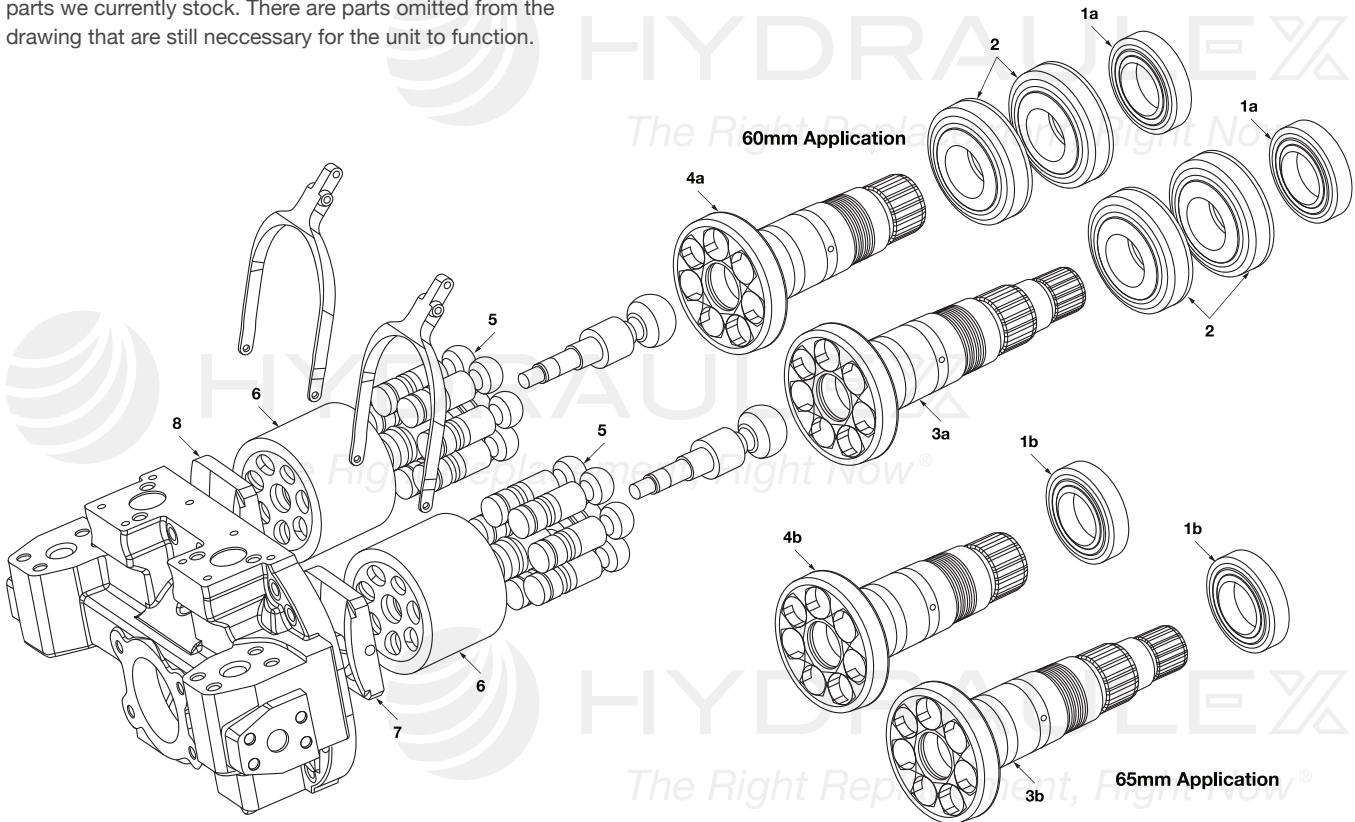
	Section	Page
HPV Series	HPV102 Parts Breakdown	3
	HPV116 Parts Breakdown	4
	HPV145 Parts Breakdown	5

HPV102

Parts Breakdown

Note: The breakdown below only shows replacement parts we currently stock. There are parts omitted from the drawing that are still necessary for the unit to function.

**WE CAN SUPPLY
COMPLETE REMAN UNITS
TO ORDER, PLEASE CONTACT US**

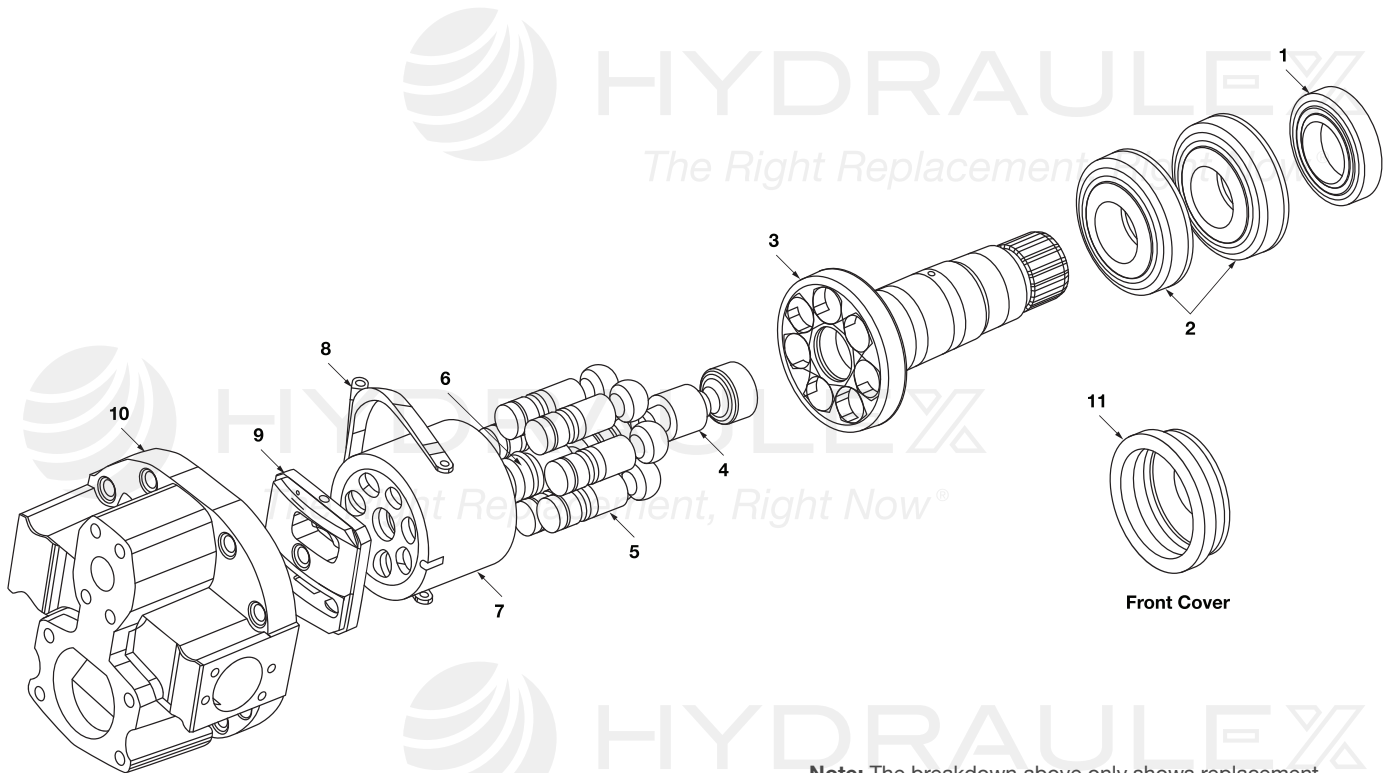


NO.	PRIMARY PART #	ALT #	DESCRIPTION	QTY/UNIT	NOTES
1a	30212		REAR BEARING (60mm)	2	For 60mm Size Shafts
1b	32212		REAR BEARING (65mm)	2	For 65mm Size Shafts
2	31312		FRONT BEARING (60mm)	4	For 60mm Size Shafts
3a	ZAXIS270DS		DRIVE SHAFT (R) (60mm)	1	60mm Size
3b	HPV102MS		DRIVE SHAFT (R) (65mm)	1	65mm Size
4a	ZAXIS270IS		DRIVEN/IDLER SHAFT (L) (60mm)	1	60mm Size
4b	HPV102IS		DRIVEN/IDLER SHAFT (L) (65mm)	1	65mm Size
5	HPV102PS		PISTON ASS'Y	14	Sold in Sets of 7
6	HPV102CB		CYLINDER BLOCK	2	
7	HPV102VPRH		VALVE PLATE (RH)	1	
8	HPV102VPLH		VALVE PLATE (LH)	1	

HPV116

Parts Breakdown

**WE CAN SUPPLY
COMPLETE REMAN UNITS
TO ORDER, PLEASE CONTACT US**



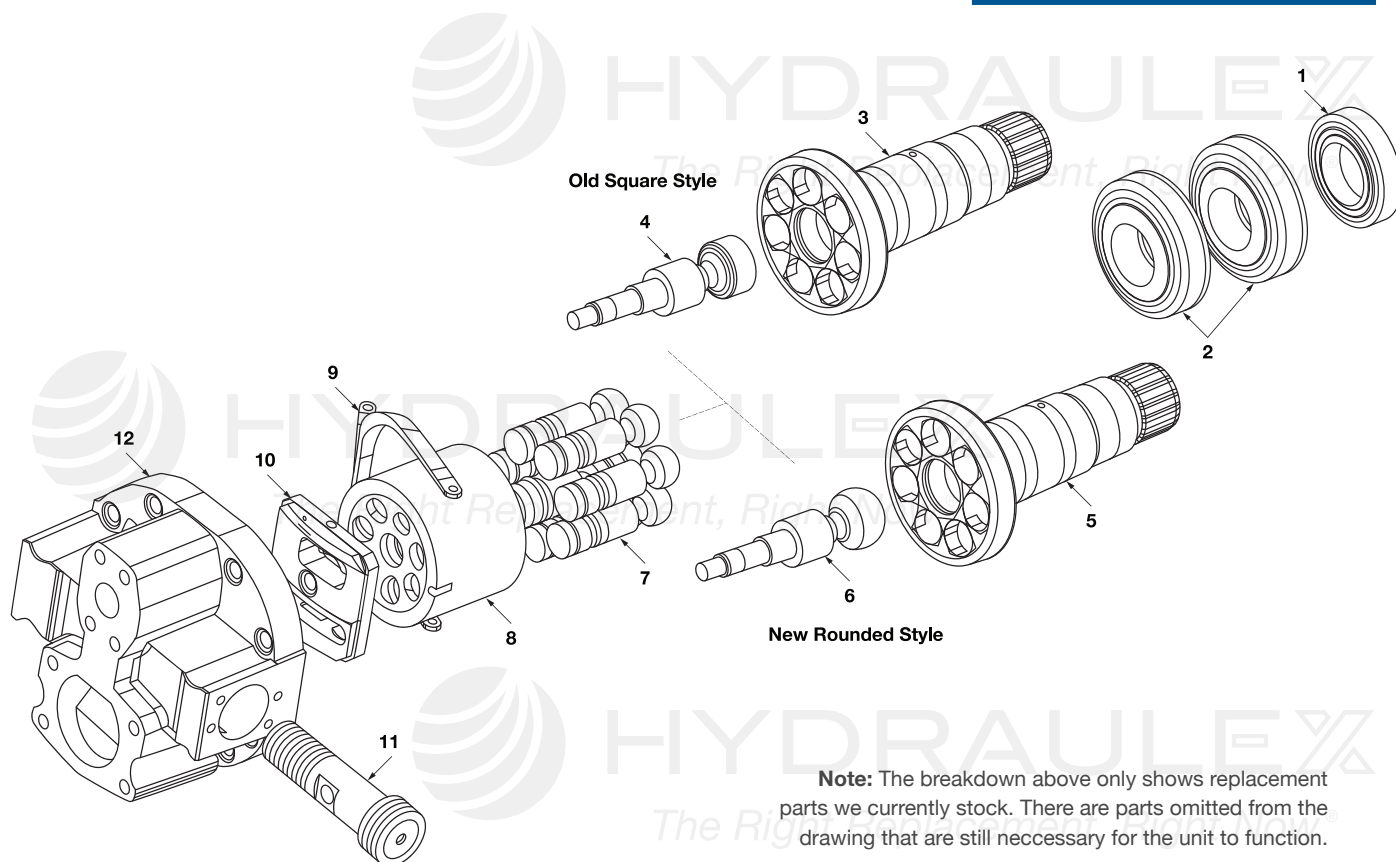
Note: The breakdown above only shows replacement parts we currently stock. There are parts omitted from the drawing that are still necessary for the unit to function.

NO.	PRIMARY PART #	ALT #	DESCRIPTION	QTY/UNIT	NOTES
1	HPV116RB		REAR BEARING	1	
2	HPV116FB		FRONT BEARING - NO SPACER	2	Sold Individually
3	HPV116S		DRIVE SHAFT	1	
4	HPV116CS		CENTER PIN/SHAFT CENTER	1	
5	HPV116PS		PISTON ASS'Y	7	Sold in Sets of 7
6	HPV116SPR		COIL SPRING	1	
7	HPV116CB		CYLINDER BLOCK	1	
8	3037675		FEEDBACK LEVER/LINK	1	
9	HPV116VP		VALVE PLATE	1	
10	HPV116HC		HEAD COVER	1	
11	HPV116C		FRONT COVER	1	
-	HPV116SK		SEAL KIT (COMPLETE)	1	Not Pictured
-	HPV116H		HOUSING	1	Not Pictured

HPV145

Parts Breakdown

**WE CAN SUPPLY
COMPLETE REMAN UNITS
TO ORDER, PLEASE CONTACT US**



NO.	PRIMARY PART #	ALT #	DESCRIPTION	QTY/UNIT	NOTES
1	HPV145BRB	4209323	REAR BEARING	1	
2	HPV145BFB	31314A	FRONT BEARING - NO SPACER	2	Sold Individually
3	HPV145S	2023051	DRIVE SHAFT (OLD STYLE)	1	Old Style
4	HPV145CS	8035539	CENTER PIN/SHAFT CENTER (OLD)	1	Old Style
5	HPV145SN		DRIVE SHAFT (NEW STYLE)	1	New Style
6	HPV145CSN		CENTER PIN/SHAFT CENTER (NEW)	1	New Style
7	HPV145PS	8049118	PISTON ASS'Y	7	Sold in Sets of 7
8	HPV145CB	2022744	CYLINDER BLOCK	1	
9	3039569		FEEDBACK LEVER/LINK	1	
10	HPV145VP	2035307	VALVE PLATE	1	
11	HPV145SP	3036326	SERVO PISTON	1	
12	HPV145H	1011957	HEAD COVER	1	
-	HPV145SK		SEAL KIT (COMPLETE)	1	Not Pictured
-	313208		HOUSING	1	Not Pictured

Hydraulex - A Recognized Global Leading Provider of High Quality Hydraulic Components



Products We Offer

- Inline Piston Pumps
- Radial Piston Pumps & Motors
- Bent Axis Piston Pumps & Motors
- Fixed Volume Vane Pumps
- Variable Volume Vane Pumps
- Gear Pumps
- Vane Motors
- Axial Piston Motors
- High Speed Motors
- Servo Motors
- Orbital Motors
- Directional Valves
- Flow Control Valves
- Pressure Control Valves
- Relief Valves
- Check Valves
- Stack Valves
- Servo Valves
- Proportional Valves
- PTOs (Power Take-offs)
- Cylinders



Hydraulex Corporate
48175 Gratiot Ave
Chesterfield, MI 48051
Toll Free: 800.422.4279
Tel: 586.949.4240

www.hydraulex.com

Hydraulex Global - Michigan	Tel: 586.949.4240
Hydraulex Global - Mississippi	Tel: 601.469.1987
Hydraulex Global - ON, Canada	Tel: 416.638.6000
Hydraulex Global - Washington	Tel: 253.604.0400
Hydraulex Global - Tennessee	Tel: 901.794.2462

sales@ahx1.com
sales@metarisusa.com
sales@metaris.com
sales@h-r-d.com
sales@flinthydrostatics.com



Connect with us:



All manufacturers names, symbols and descriptions in this document are used for reference purposes only, and it is not implied that any parts listed is the product of these manufacturers.